

SINGER
145W103

Form 2915w

(148)

Printed in U. S. A.

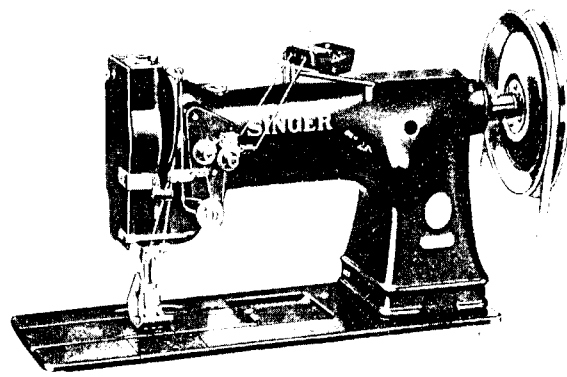
SINGER

145w103



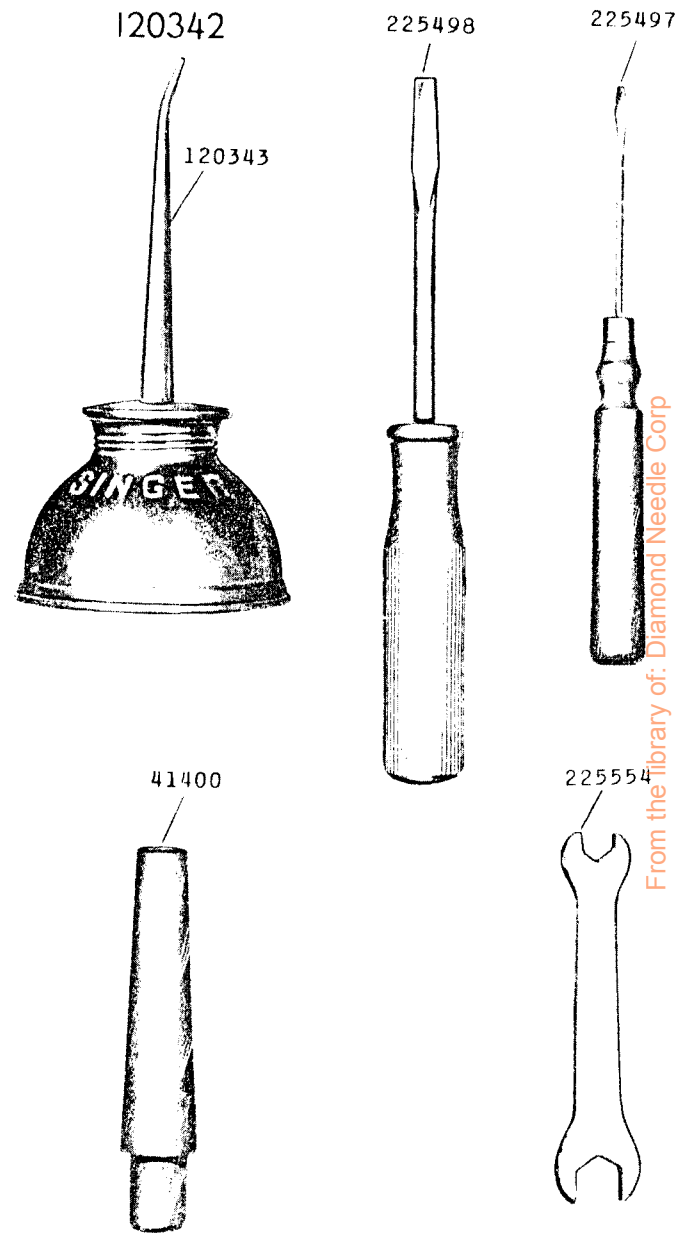
THE SINGER MANUFACTURING COMPANY

From the library of: Diamond Needle Corp

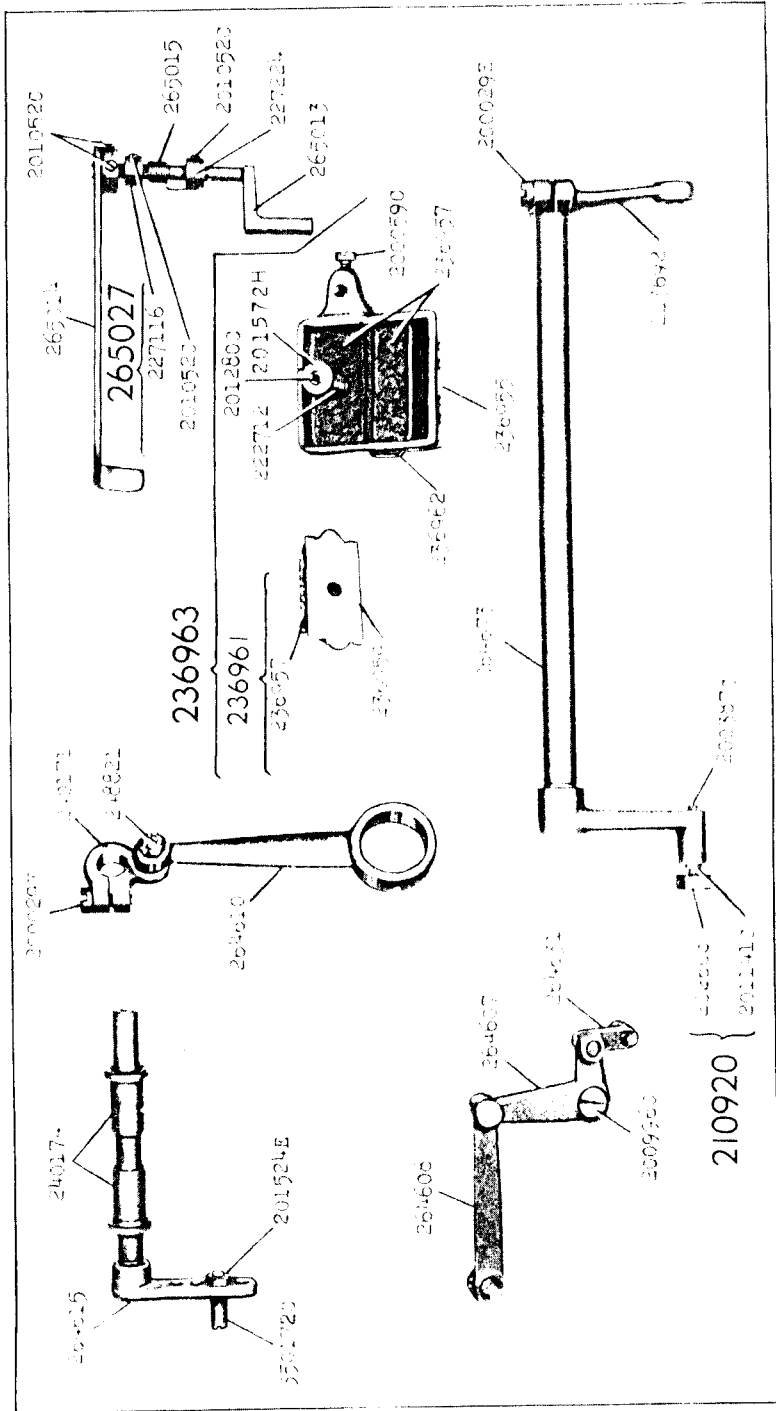


Copyright, U. S. A., 1939, 1940, 1946, 1947 and 1948,
by The Singer Manufacturing Company
All Rights Reserved for all Countries

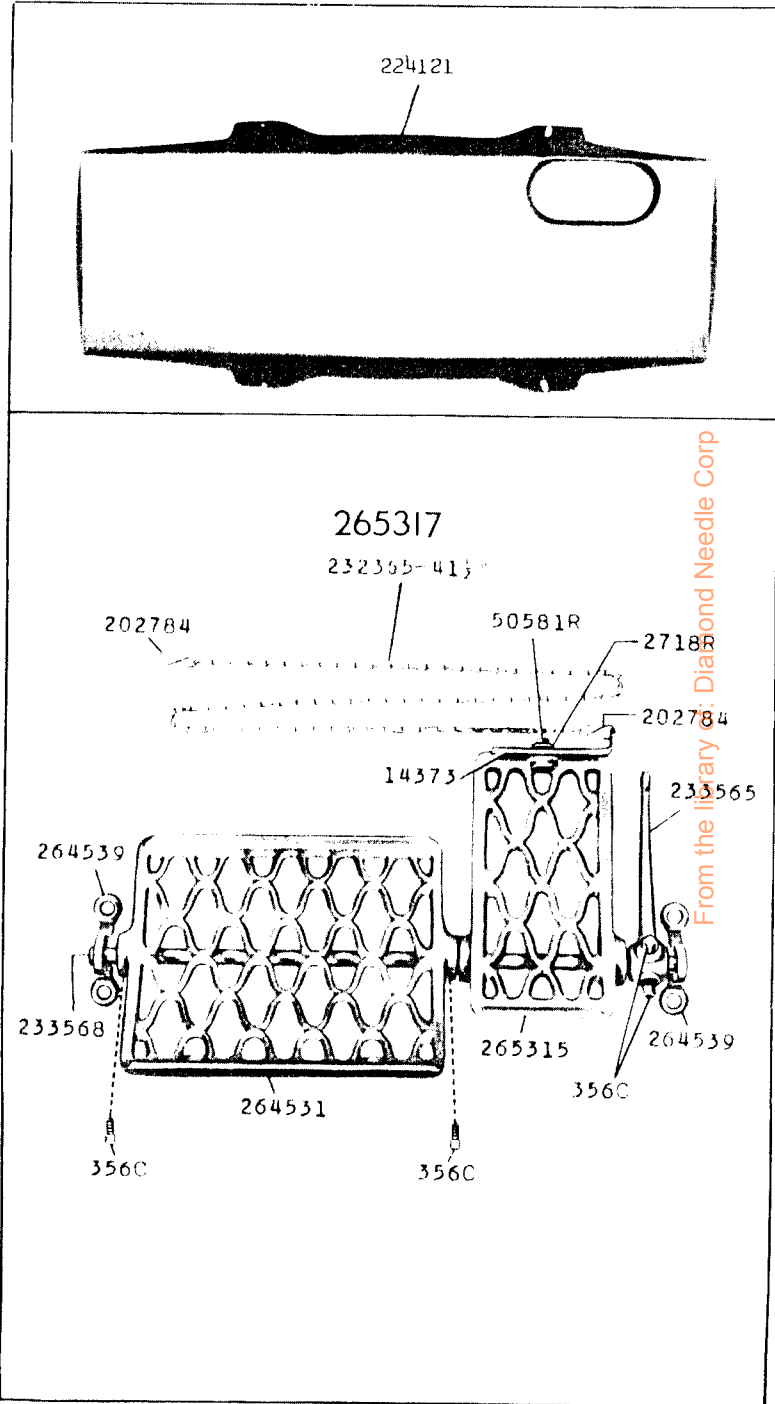
13067 - 1/2



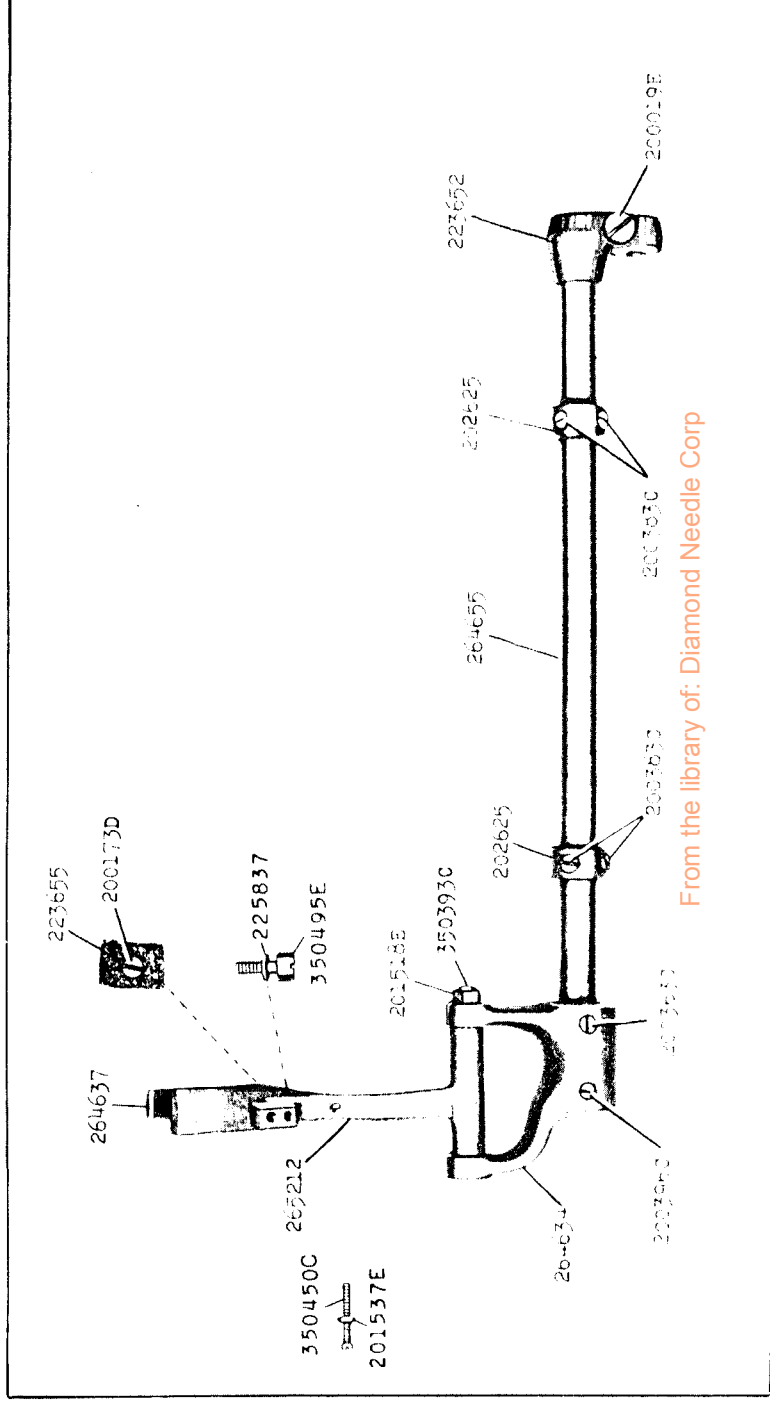
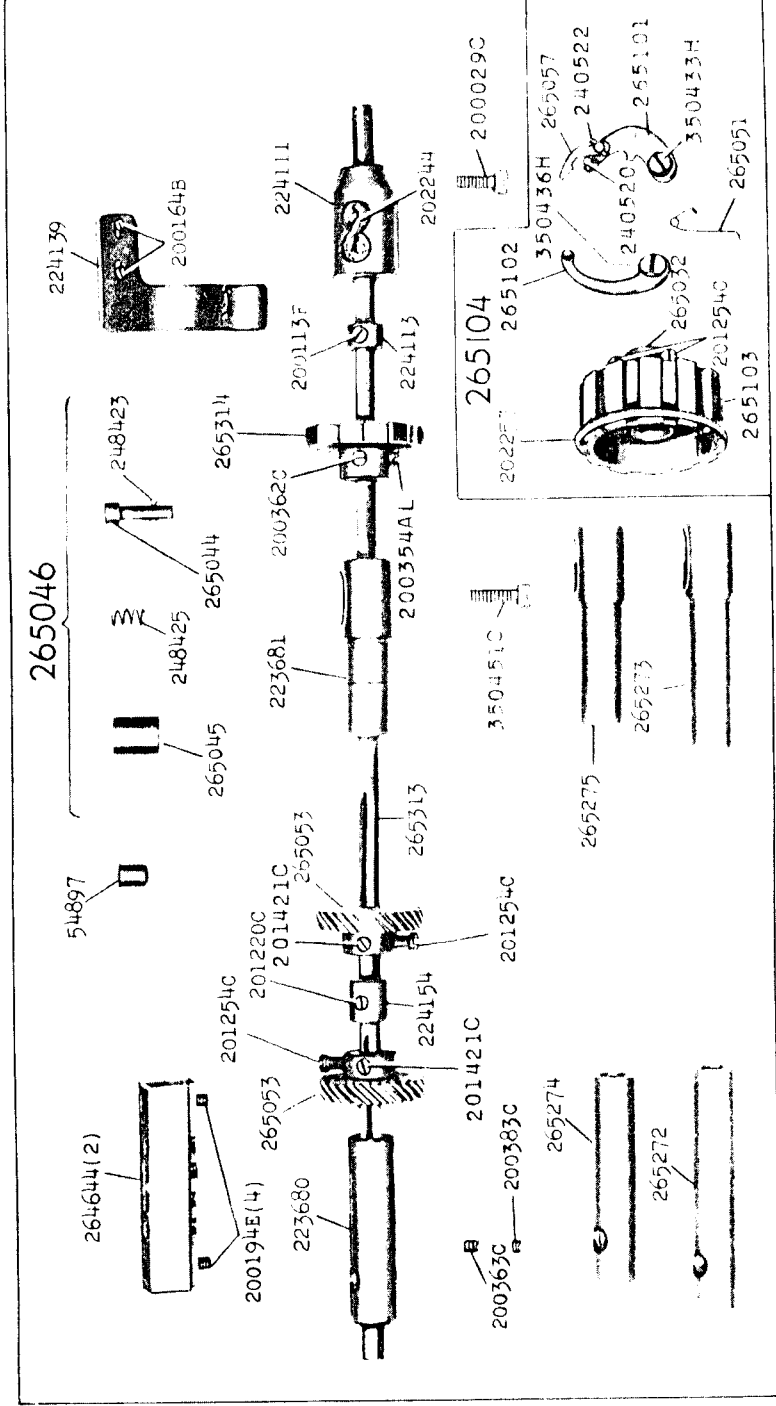
16129 - 1/3



16136 - 1/6

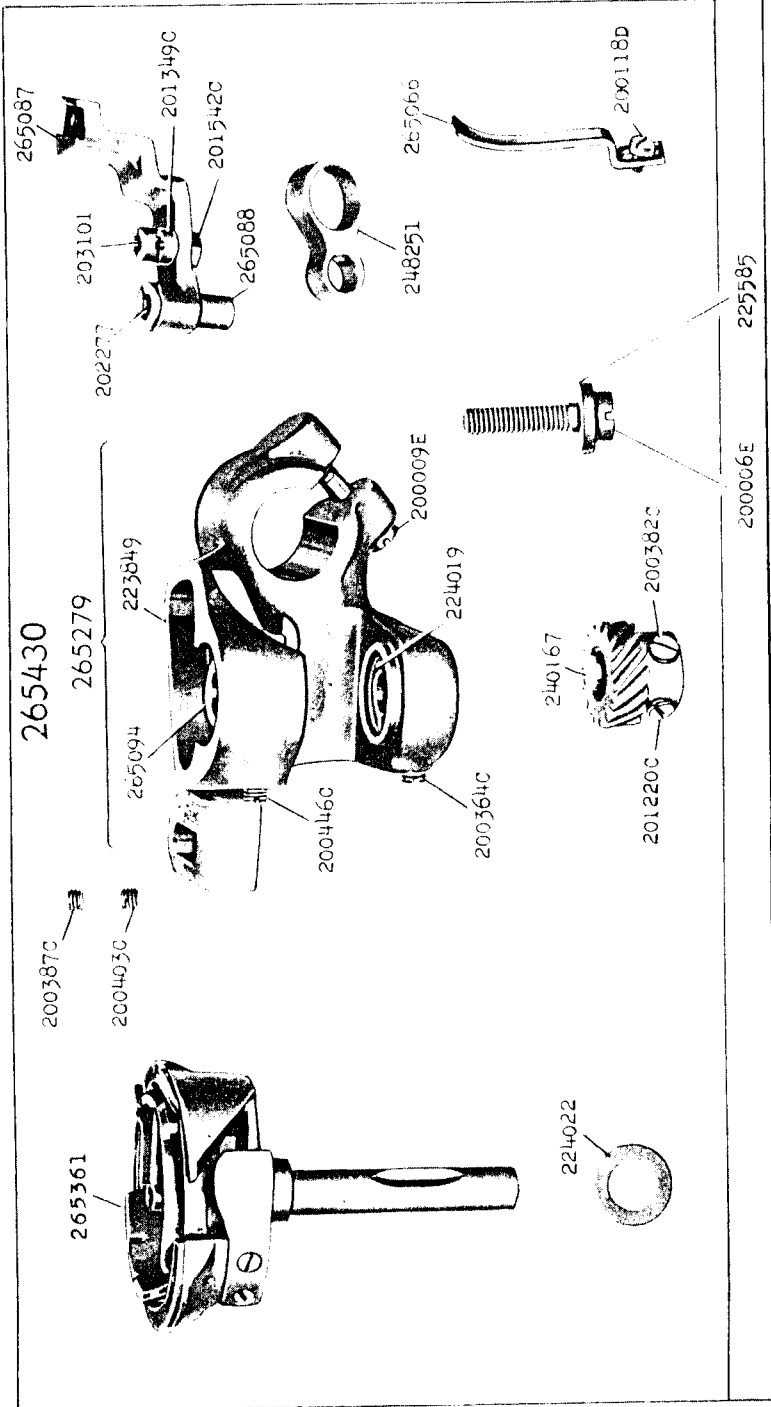


From the library of: Diamond Needle Corp

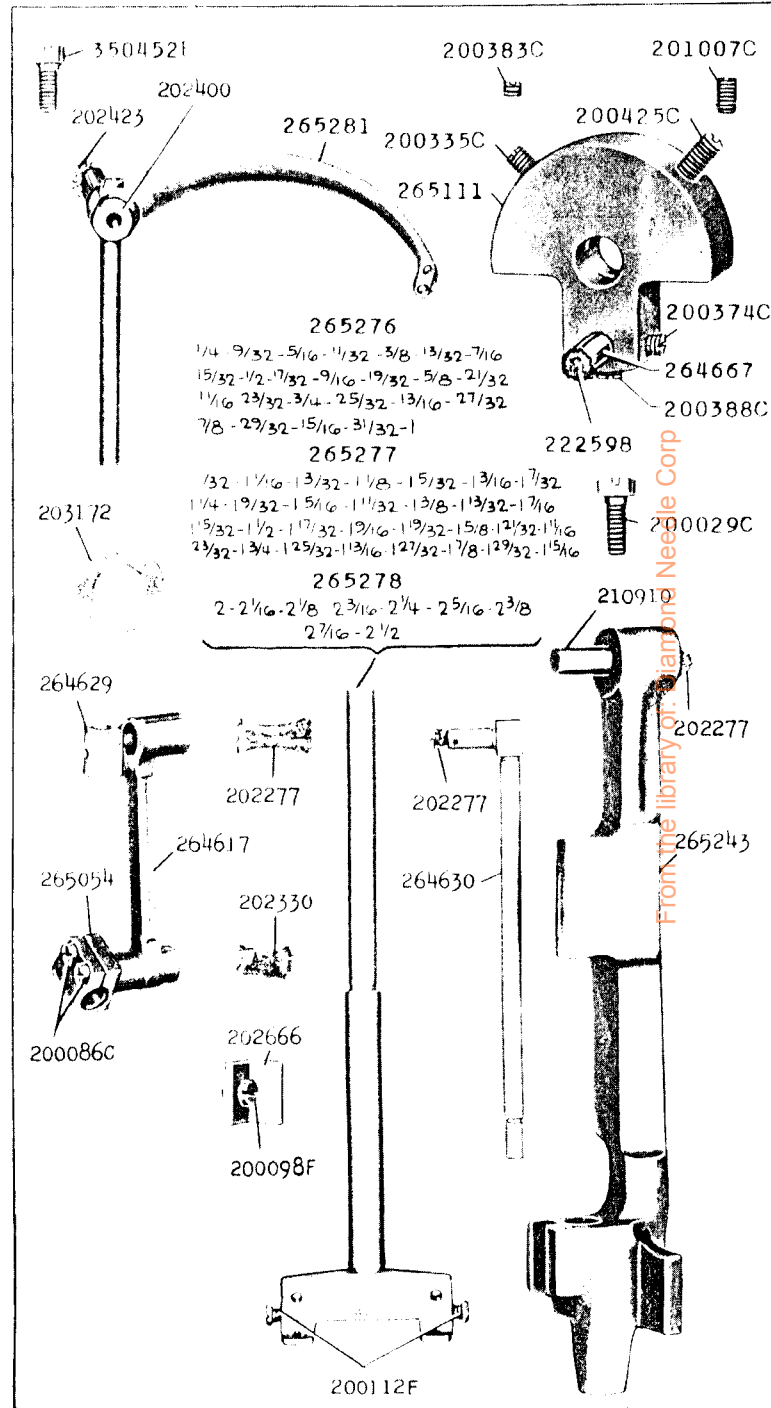


From the library of: Diamond Needle Corp

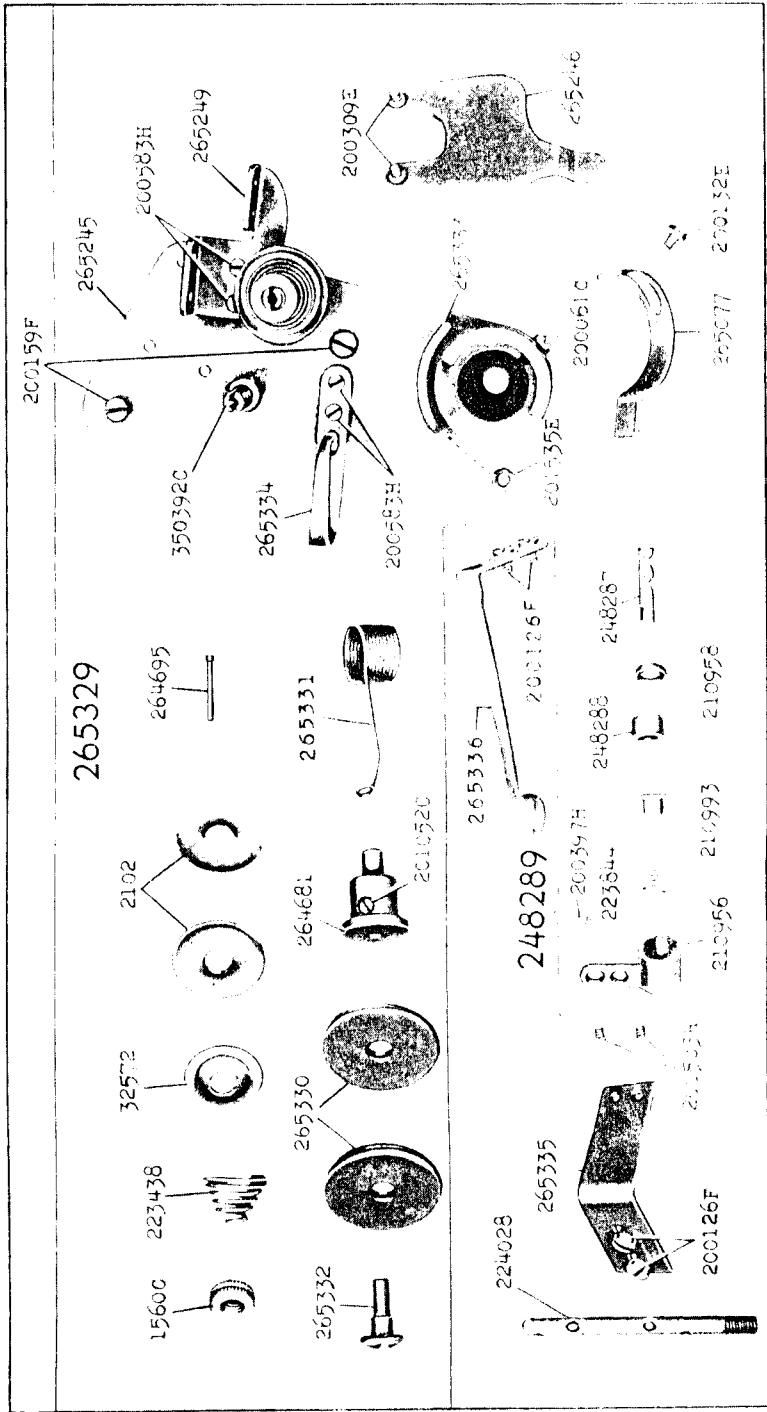
16169 - 5/8



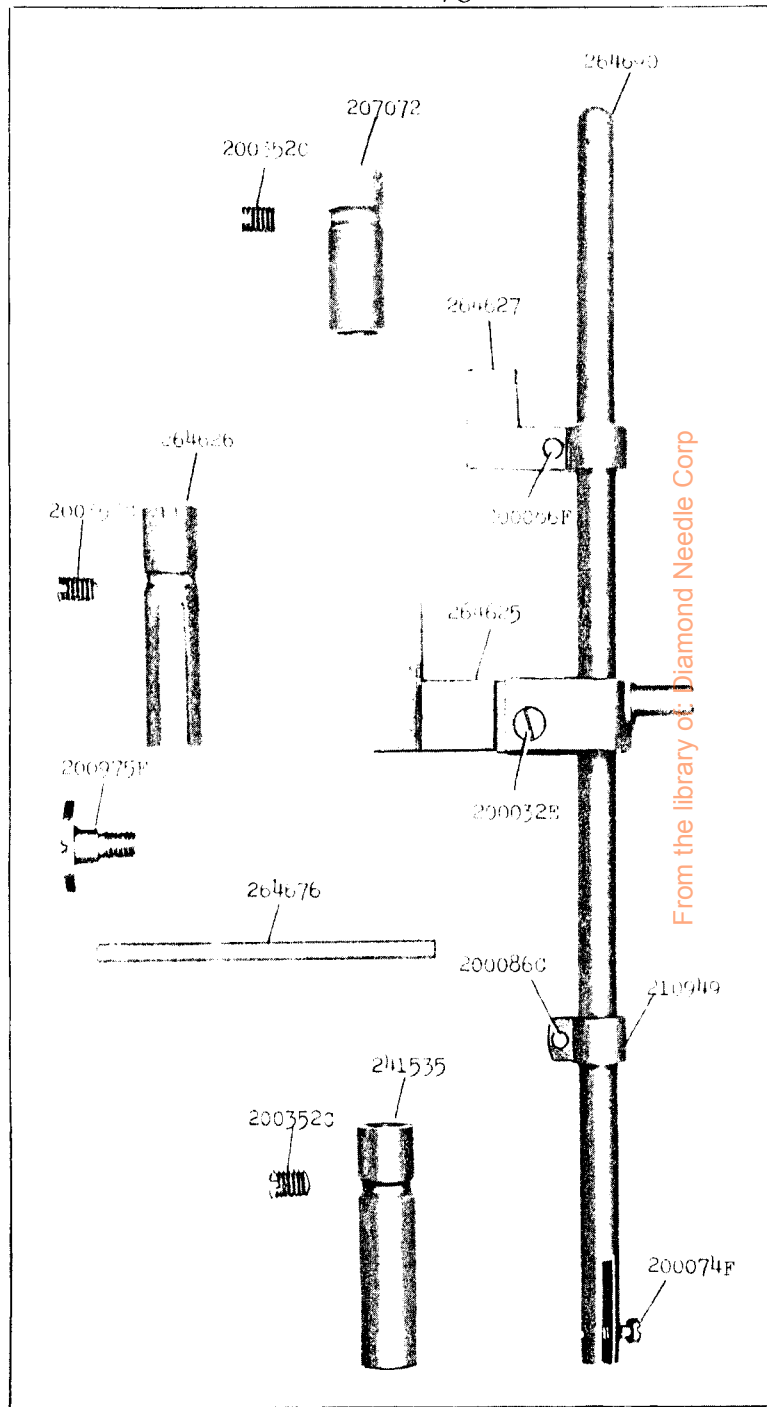
16170 - 1/2



16171 - 1/2

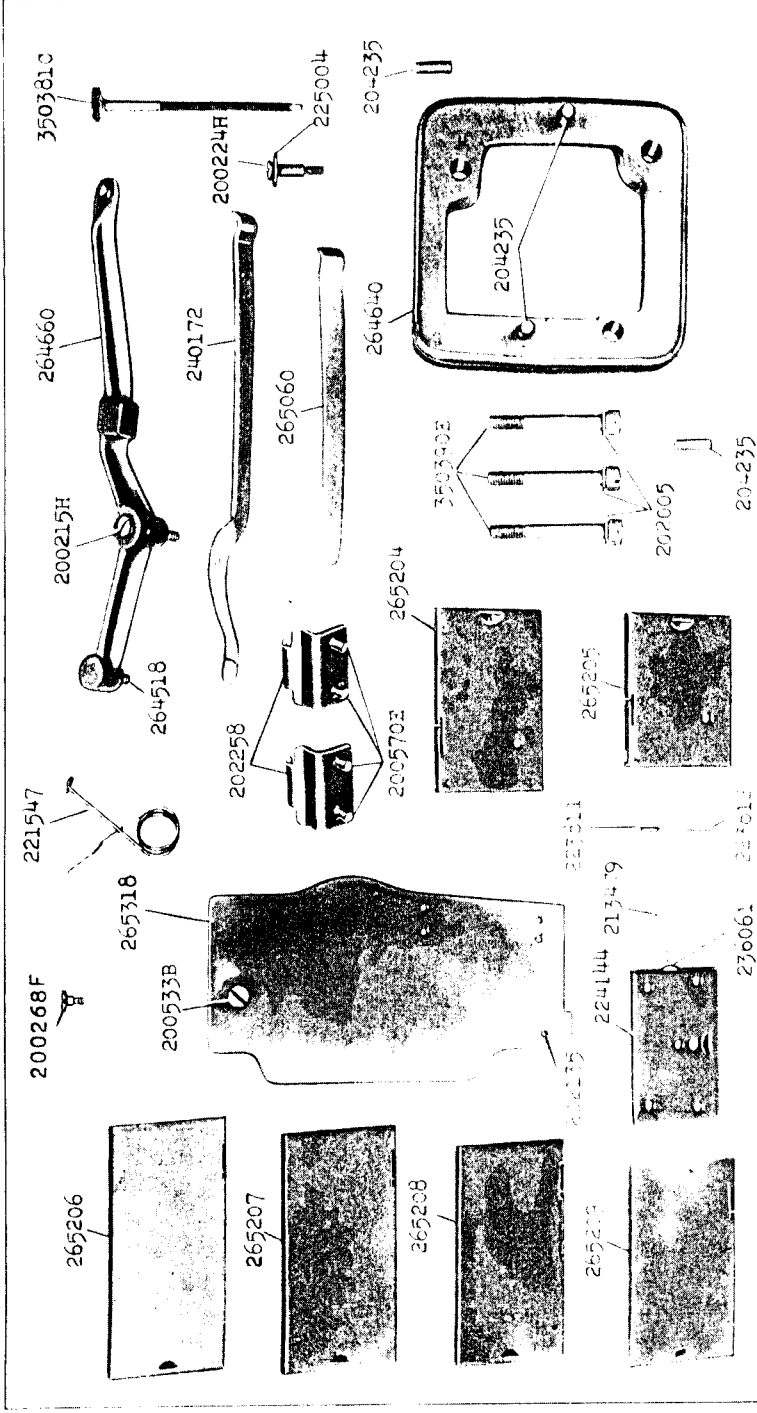


16172 - 5/8

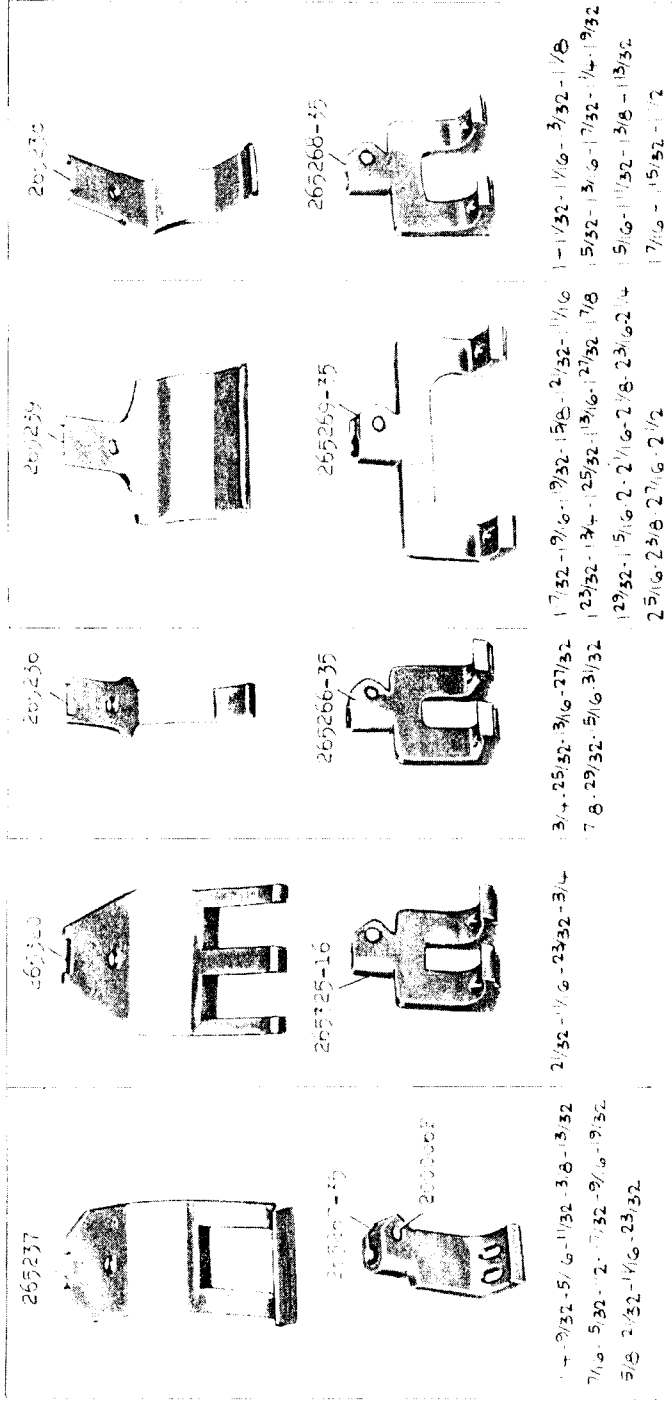


From the library of: Diamond Needle Corp

16173 - 1/4

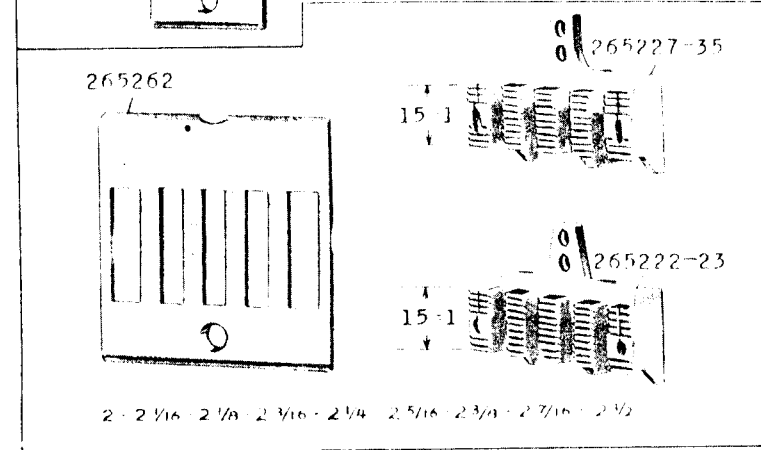
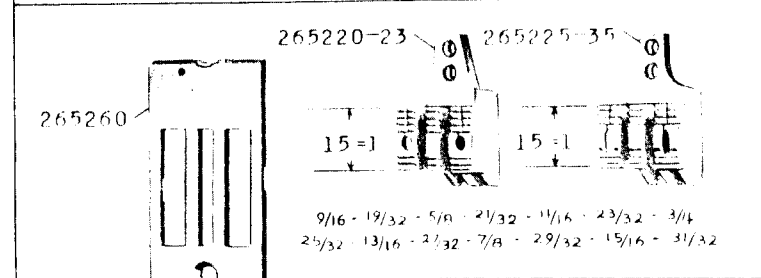
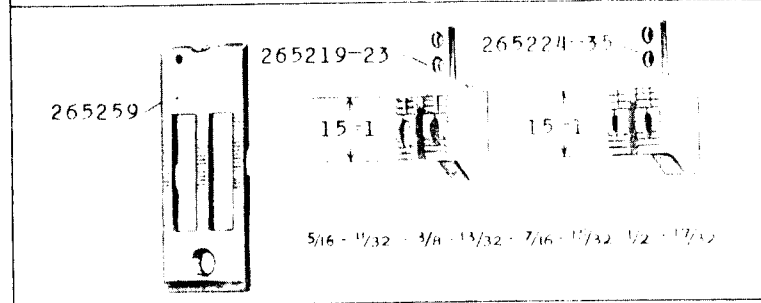
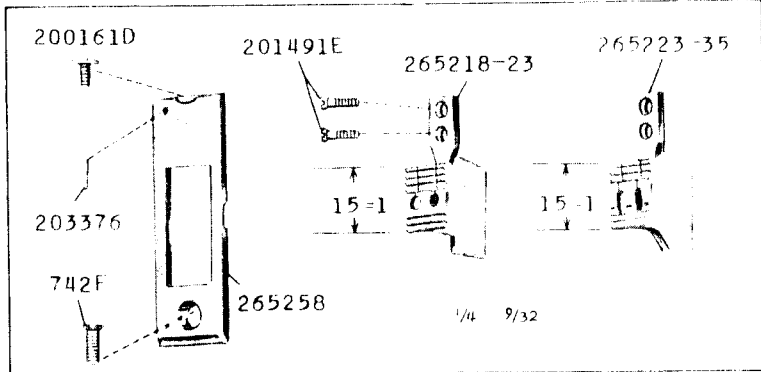


16174 - 1/2

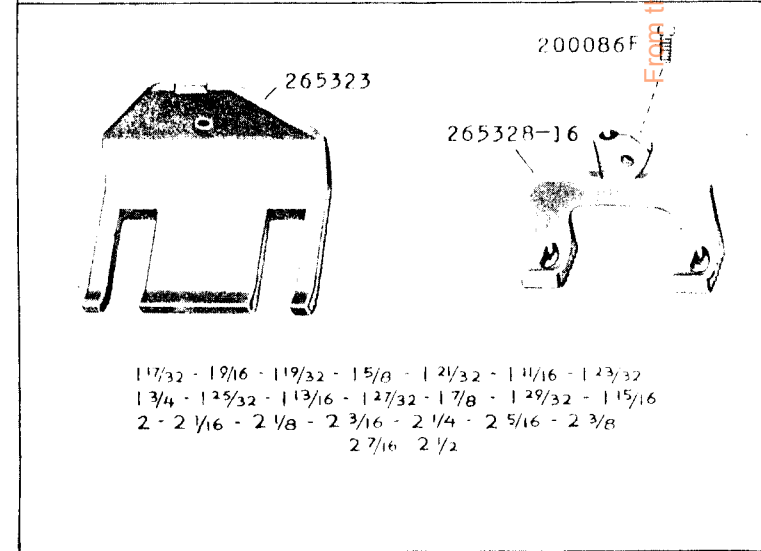
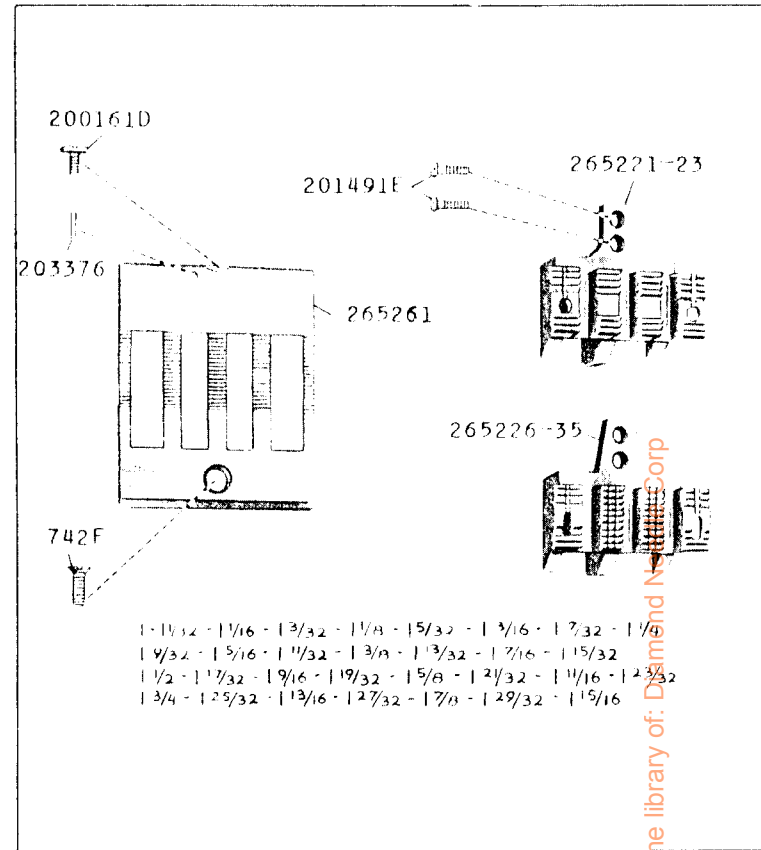


From the library of: Diamond Needle Corp

16181 - 1/2

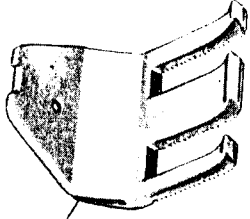


16182 - 1/2

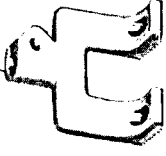


From the library of: Diamond Net Corp

16187 - 1/2

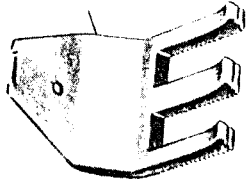


265322

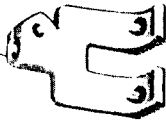


265327-16

1 - 1/32 - 1/16 - 1/32 - 1/8 - 15/32
3/16 - 17/32 - 1/4 - 19/32 - 5/16
1/16 - 13/8 - 1/32 - 1/16 - 15/32 - 1/2

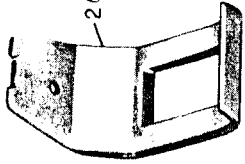


265321

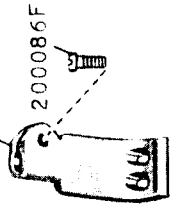


265326-16

25/32 - 13/16 - 27/32 - 7/8
29/32 - 15/16 - 3/32



265237

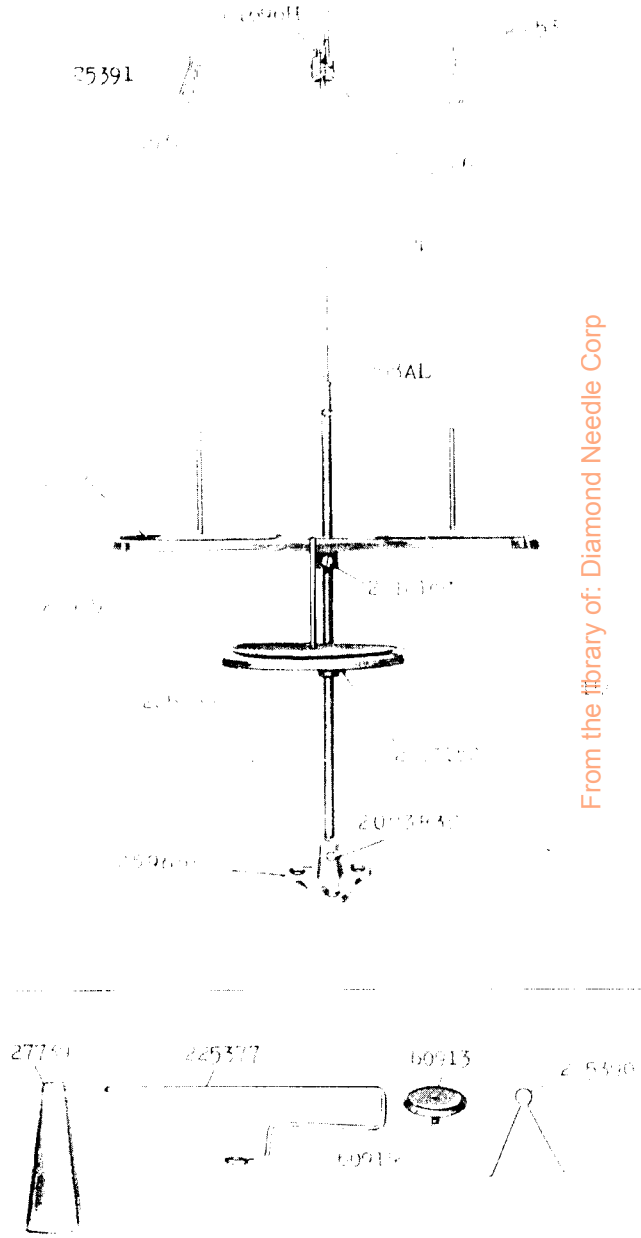


265324-16

1/4 - 9/32 - 5/16 - 1/32 - 1/2 - 3/8 - 13/32
7/16 - 15/32 - 1/2 - 17/32
9/16 - 19/32 - 5/8

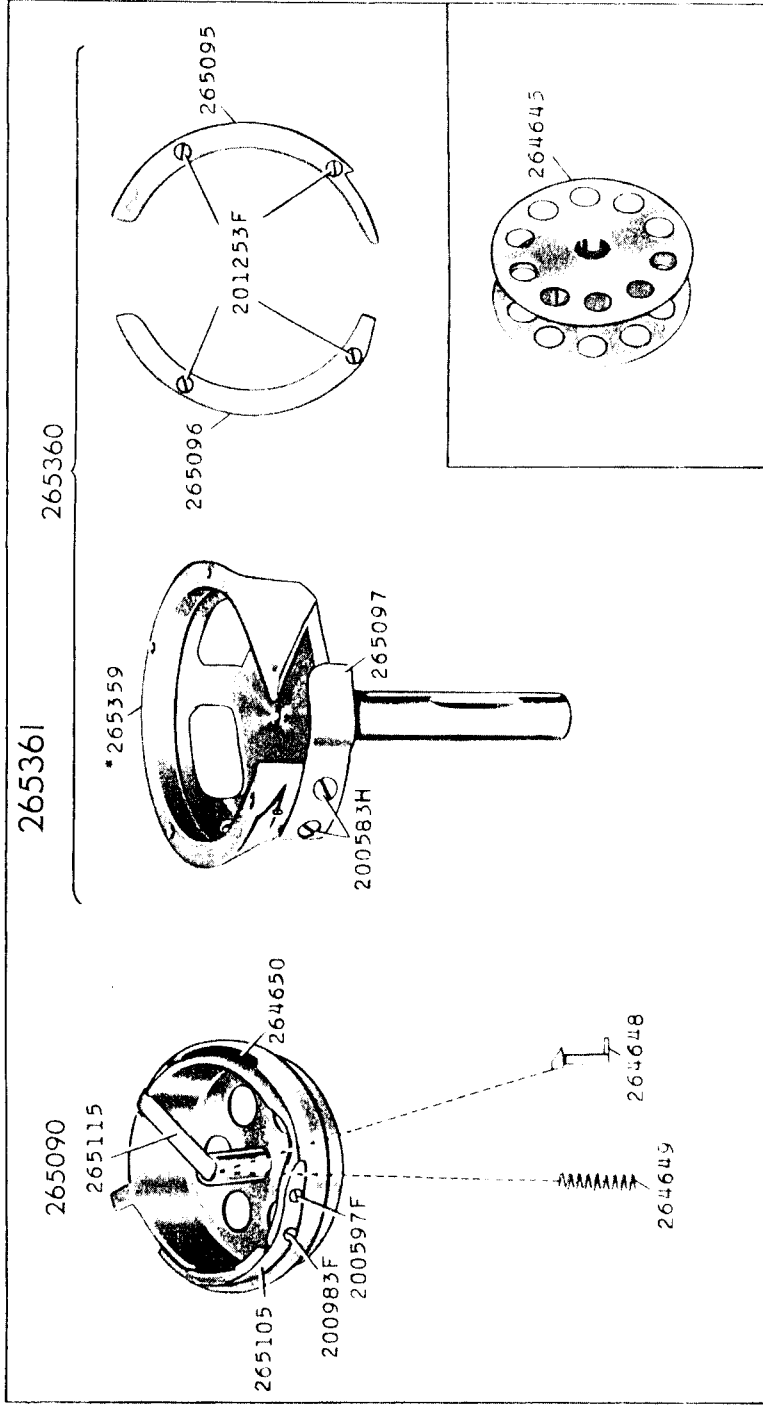
16257 - 1/6

259143

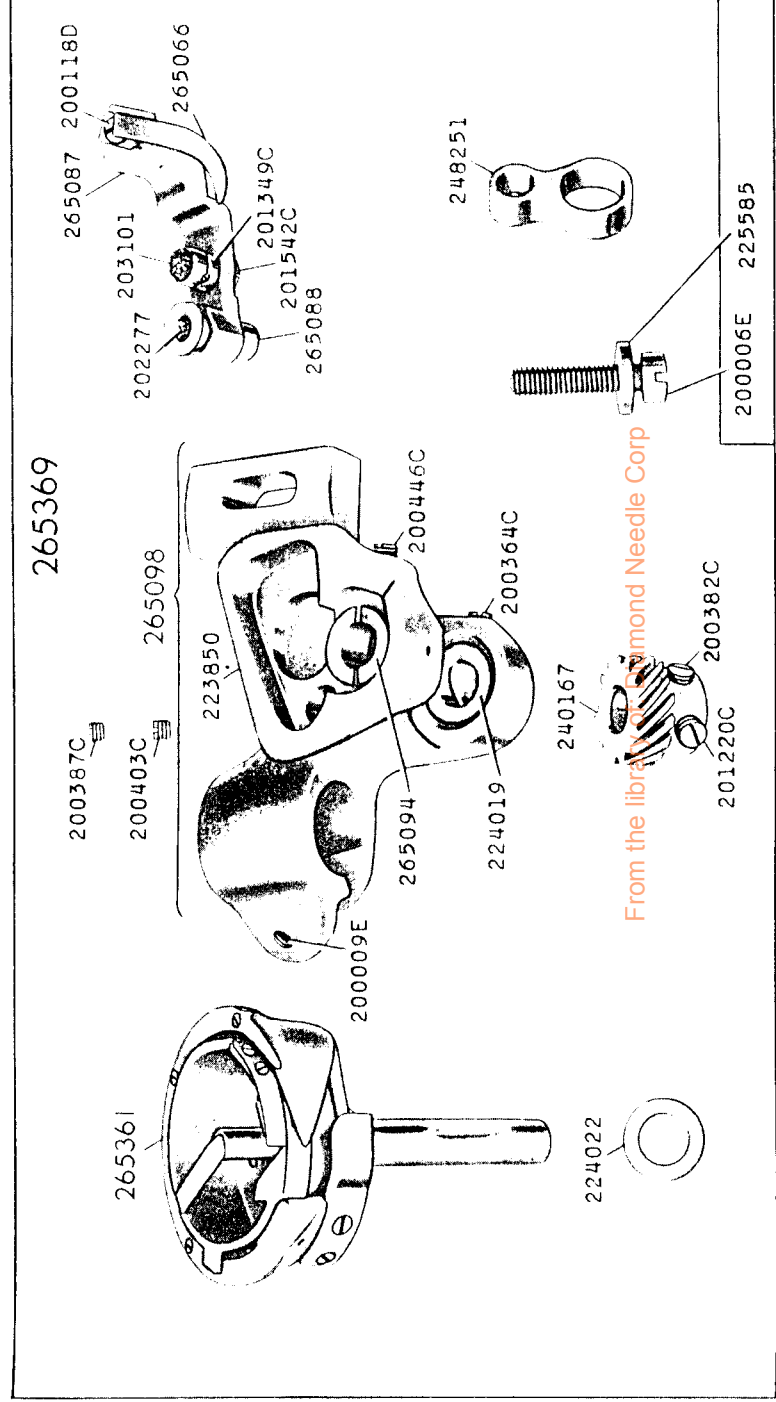


From the library of: Diamond Needle Corp

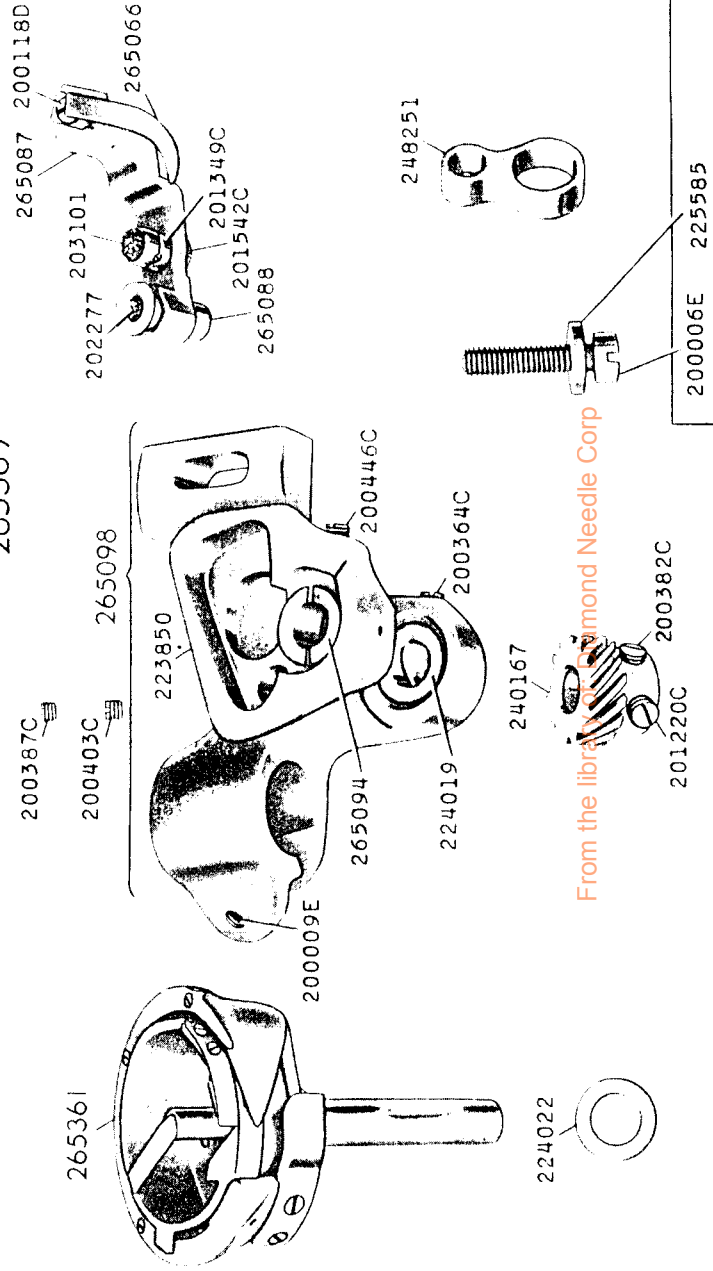
18503 - 3/4



18504 5/8



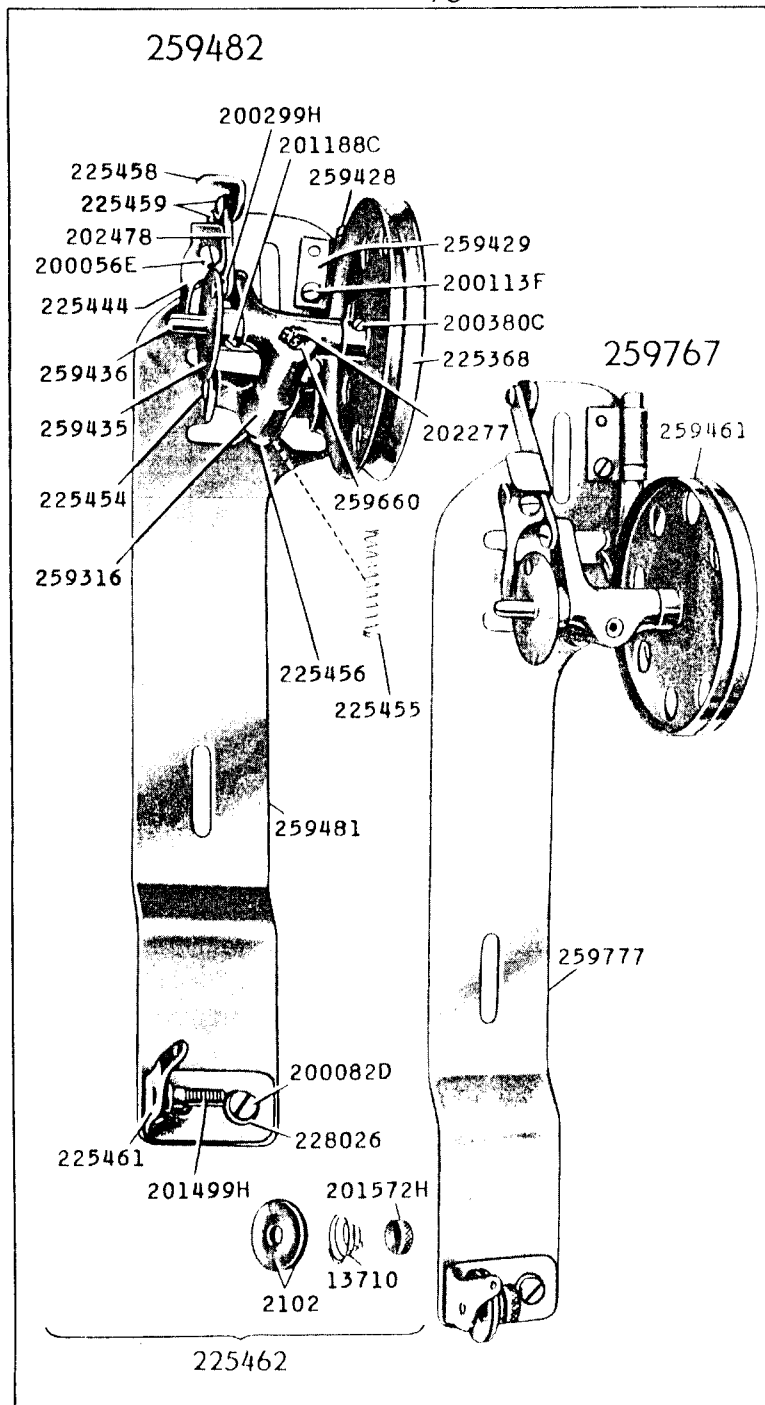
265369



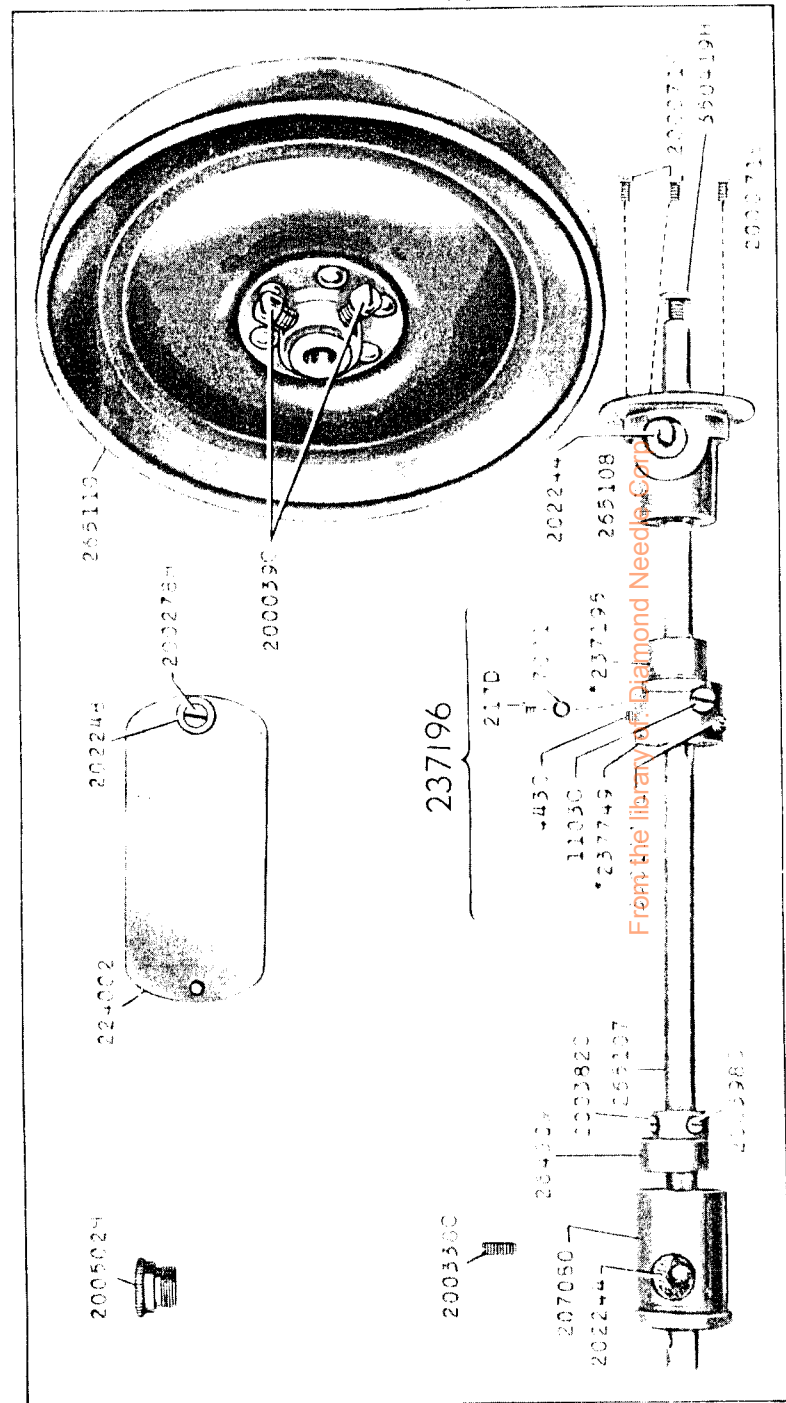
From the library of Diamond Needle Corp

200006E 225585

18509 - 3/8



18518 - 1/3



18519 - 3/8

